



SECURE ETHERNET SWITCHER

Access up to 4 separate devices from a single port.

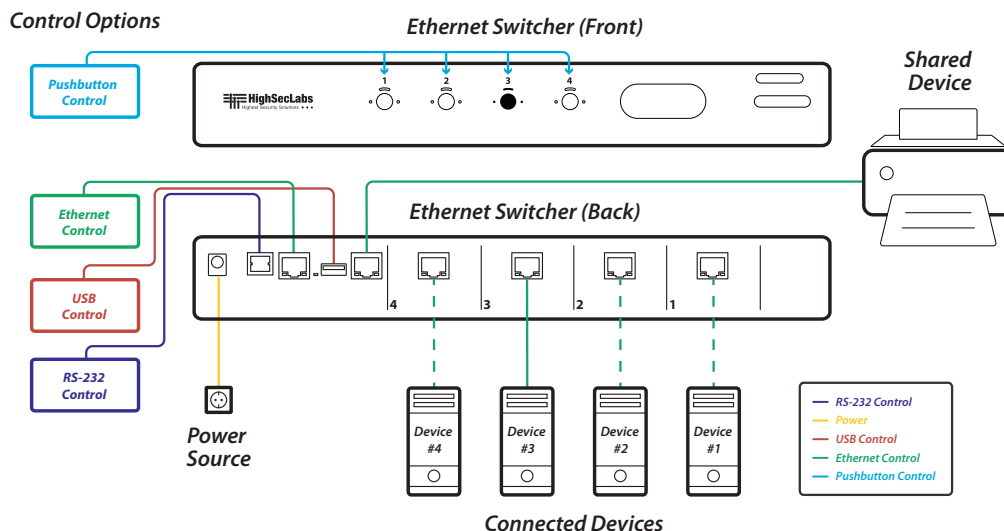
High Sec Labs' Secure 4-Port Ethernet Switcher provides convenience without sacrificing security, allowing access to four separate completely isolated devices via a single shared device. Its built-in isolated relays ensure isolation between the connected devices, allowing devices

of different security levels to share a common port while maintaining separation. This reduces clutter and eliminates the hassle of plugging and unplugging cables to switch between devices.

SECURE ETHERNET SWITCHER HIGHLIGHTS

- Secure Connection:**
 Connect devices of different security levels to a shared port while keeping them isolated from each other.
- Fail-Safe Architecture:**
 All ports remain isolated even during power loss, preventing the possibility of leaks or bridges between ports.
- EMI/RFI Shielding:**
 The Switcher's all-metal enclosure protects from electromagnetic and RF interference.
- Cat 6 Compliance:**
 The Switcher's Ethernet ports are all Cat 6 compliant for high-speed networking.
- Transparent Ports:**
 The Switcher's Ethernet ports are transparent to all data, relaying data between the common device and the connected source device without interference.
- Break-Before-Make Connection:**
 All 8 pins of each Ethernet port's RJ45 interface are switched by electromechanical relays that disconnect from the current connection before making a new one. This prevents any overlapping between connections, with no risk of data leaks.
- Manual Pushbutton Controls:**
 The pushbuttons on the Switcher's front panel allow direct manual control over which device is connected.
- Remote Commands:**
 The Switcher can also be controlled by Ethernet, USB, or RS-232 ASCII commands. These commands enable switching between devices, locking the front panel buttons, obtaining information about the Switcher's status and the status of connected devices, and enabling or disabling auto-sending switch positions.
- Complete Electrical Isolation Between Ports:**
 60dB of isolation between sources to assure no information sharing on any level.
- Network Compatibility:**
 1Gbps support for compliance with standard network devices.

INSTALLATION DIAGRAM



OPERATIONAL HIGHLIGHTS

- Convenient Connectivity:**
 Quickly connect one of four devices to a single shared device.
- Hassle-Free Switching:**
 Switch between devices without the hassle of plugging and unplugging cables.
- Simple Status Indication:**
 LEDs on the Switcher's front panel indicate its power status and which source device is connected to the shared device.
- Multiple Control Options:**
 Operate the Switcher manually via the pushbuttons on its front panel, or remotely via Ethernet, USB, or RS-232 commands from a controlling device.

SPECIFICATIONS

PART NUMBER	SL41N-M
CONSOLE PORTS	
Console LAN Port	1Gbps with configurable LAN setting, for LAN control
Console USB Port	1x USB 2.0 Type A, for USB control
Console Serial Port	1x DB9 female, for RS-232 control
DEVICE PORTS	
Device LAN Ports	4x RJ-45 1Gbps CAT 6 shielded
Shared LAN Port	1x RJ45 1Gbps CAT 6 shielded
PHYSICAL	
Dimensions	342x148x42mm / 13.4x5.8x1.6in
Weight	0.6kg / 1.32lb
POWER	
Power Consumption	5W max
Power Supply	12V AC/DC
ENVIRONMENTAL	
Operating Temperature	-20°C to 60°C / -4°F to 140°F
Storage Temperature	-40°C to 70°C / -40°F to 158°F
Humidity	0%-80% RH, non-condensing
Altitude	Up to 50,000ft

ORDERING INFORMATION

Model Number	SL41N-M
Part Number	CPN37665

SL41N-M Front Panel



SL41N-M Rear Panel

