

# RACKMOUNT KIT 4U

The RK-4U-HKS-10 enables mounting up to 10 HighSecLabs Isolators in a 19" 4U rack space.

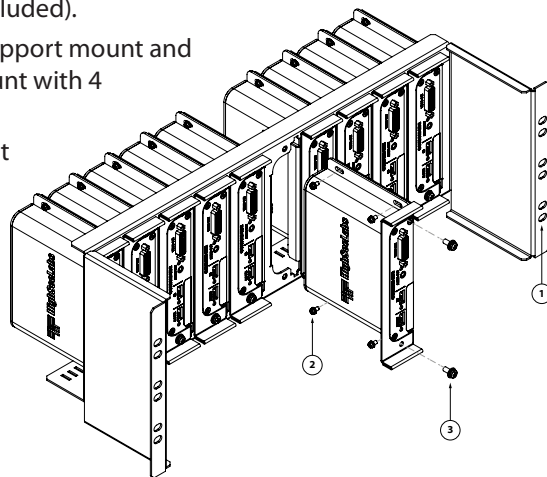


## SPECIFICATIONS

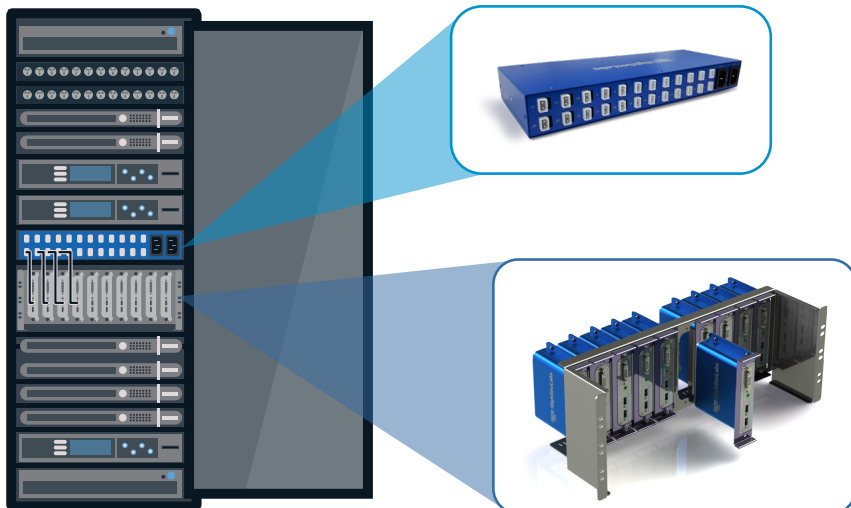
<b>PRODUCT DIMENSIONS</b>	48.6 cm x 17.7 cm x 10.2 cm (19" x 7.0" x 4U) W, D, H
<b>PRODUCT WEIGHT</b>	3.4kg (7.5lb)
<b>SHIPPING DIMENSIONS</b>	51 cm x 19 cm x 17 cm (20" x 7.5" x 6.7") W, D, H
<b>SHIPPING WEIGHT</b>	3.8kg (8.4lb)
<b>ACCESSORIES</b>	40 M3-0.5x6mm screws, 20 M4x10mm screws

## INSTALLATION:

1. Attach the chassis (main bracket) to the rack with 4 screws (3) (not included).
2. Insert each unit into a support mount and tighten the support mount with 4 M3-0.5x6mm screws (1).
3. Insert the support mount with the unit into the main bracket and tighten it with the 2 M4x10mm screws (2).



## SYSTEM DIAGRAM



## SUPPORTS HSL'S MODELS:

ISOLATOR MODEL	P/N
FI11D-M	CPN14753
FV11D-M	CPN14750
FI11H-M	CPN14755
FV11H-M	CPN14752
FI11PH-M	CPN19439
FV11PH-M	CPN19441
FT11N-4	CPN21849

EXTENDERS MODEL	P/N
FICE11PH-M	CPN16092
FICE11PHT-M	CPN20478
FICE11PHR-M	CPN20479
FVCE11PH-M	CPN16094
FVCE11PHT-M	CPN20480
FVCE11PHR-M	CPN20481
FICE11CH-M	CPN20482
FICE11CHT-M	CPN20483
FIFE11PH-M	CPN16096
FIFE11PHT-M	CPN20485
FIFE11PHR-M	CPN20486
FVFE11PH-M	CPN16098
FVFE11PHT-M	CPN20487
FVFE11PHR-M	CPN20488
FKCE11PH-N	CPN20502
FKCE11PHT-N	CPN20503
FKCE11PHR-N	CPN20504
FKFE11PH-N	CPN20498
FKFE11PHT-N	CPN20500
FKFE11PHR-N	CPN20501
FMCE10N-N	CPN22233
FICE11N-M	CPN26417