

## Product Highlights

- 📌 **Highest Performance** • By far the fastest product in its class. Powerful Network Processor architecture providing 2Gbps storage throughput, 2Gbps firewall and 300Mbps VPN throughputs.
- 📌 **Smallest form-factor** • Smallest Plug Computing appliance in the market. Power plug form-factor.
- 📌 **Low cost** • Lowest cost solution for OEM to deploy broadband USB attached storage / remote storage device.
- 📌 **Highest Security** • Powerful hardware acceleration for crypto (VPN) and Deep Packet Inspection (DPI).
- 📌 **Flexibility** • one LAN port or dual LAN ports configurations available.
- 📌 **High reliability** • Low power consumption, no moving part. Designed, manufactured and tested for highest MTBF.
- 📌 **Fast time to market** • Complete documentation and SDK for rapid product development. Debug board available for early developers.
- 📌 **Customizable to OEM spec** • Custom software may be loaded, custom paint, logo and unique ID during production at small charge.
- 📌 **Worldwide certification** • Product is fully certified for worldwide use.

## Miniature Giga Attached Storage

HSL's Giga Slim Network Security appliance is an extremely powerful OEM product designed for multilayered security market. Using latest Marvell Sheeva™ processor running at 1.2 to 1.5 GHz with hardware acceleration support for Deep Packet Inspection (DPI) and crypto, this appliance can easily compete with much larger x86 servers being used today. Optimized and stable Linux image can be used by vendors to accelerate product development and time to market. Vendors can easily implement CPU intensive features such as: IPsec, SSL VPN, DPI, IDS / IPS, Anti virus, Anti spyware, Web filtering, Anti spam, Traffic shaping, VoIP gateway, video streaming etc.

## Designed for Flexibility

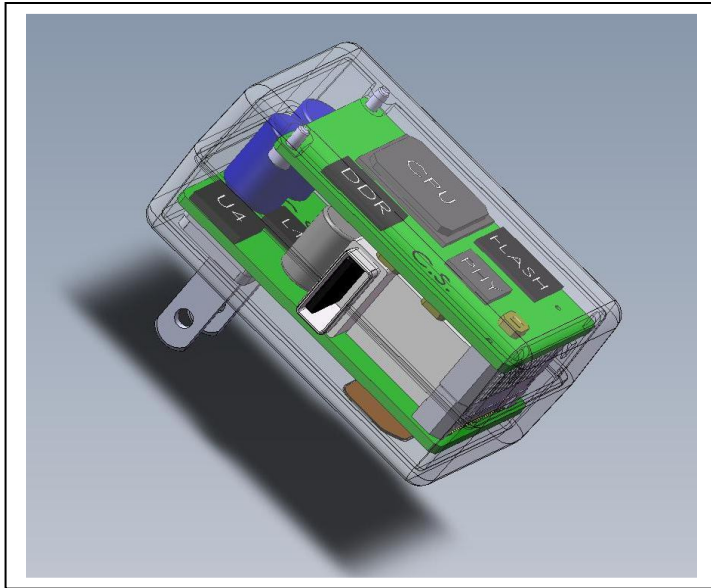
This unique miniature design is packed with features and options. With two USB 2.0 ports, one or two Giga LAN ports and optional serial and SATA ports, this small enclosure enables variety of services and supports many peripherals.

## Product Specification

<b>General</b>	<ul style="list-style-type: none"> <li>Attached storage / server Appliance for OEM</li> <li>2 Gbps firewall / 300 Mbps VPN throughput class firewall UTM appliance</li> <li>Support for Deep Packet Inspection (DPI) and Crypto acceleration in hardware</li> <li>US / European plug power plug form-factor</li> </ul>
<b>Potential Applications</b>	<ul style="list-style-type: none"> <li>Home, SMB, Education, Healthcare remote managed security appliance</li> <li>Media server, Multimedia Network Attached Storage, Ethernet-based AV distributions systems</li> <li>Residential gateway with home media vault, IP video recorder / player</li> <li>ISP virtual storage appliance</li> <li>High throughput VPN / Crypto appliance</li> </ul>
<b>CPU</b>	<ul style="list-style-type: none"> <li>Marvell Sheeva 88F6281 RISC Architecture ARM processor @1.2 GHz (optional 1.5 GHz)</li> <li>32 kilobytes of instruction cache (I-cache)</li> <li>32 kilobytes of data cache (D-cache)</li> <li>256 KB L2 cache</li> <li>Eight-channel Generic DMA controller</li> <li>RTC with optional removable battery</li> </ul>
<b>Memory and storage</b>	<ul style="list-style-type: none"> <li>256MB DDR 2, 400 MHz (Optional 512MB)</li> <li>512 MB NAND Flash</li> </ul>
<b>I/O Ports</b>	<ul style="list-style-type: none"> <li>One USB 2.0 port supporting 0.5A loads. Overload protected. Type-A connector</li> <li>One Giga LAN port supporting 1000 Base-T, 100 Base-T, 10 Base-T. Shielded RJ-45 connectors with built-in LEDs for Link and Activity.</li> <li>1 x Optional serial DB-9 COM port connector</li> <li>1 x Optional Micro SATA port</li> </ul>
<b>LEDs</b>	<ul style="list-style-type: none"> <li>1 x Front panel Power / self test bi-colour LED</li> <li>1 x Link-Activity Green LED integrated in LAN jack</li> </ul>
<b>Switches</b>	<ul style="list-style-type: none"> <li>Recessed software defined Reset push-button</li> <li>Recessed software defined Restore Factory Defaults push button</li> </ul>
<b>Software Support</b>	<ul style="list-style-type: none"> <li>UBOOT Boot-loader</li> <li>Linux 2.6.39</li> <li>Developer's SDK available</li> <li>Custom image, MAC address, Unique ID may be loaded during production at cost</li> </ul>
<b>Regulatory Compliance</b>	<ul style="list-style-type: none"> <li>Safety: UL/cUL60950, EN60 950</li> <li>EMI/EMC: FCC Part 15 Class B, CE Mark, EN55022B, VCCI , TUV</li> <li>ROHS</li> </ul>
<b>Enclosure</b>	<ul style="list-style-type: none"> <li>Miniature aluminium moulded enclosure</li> <li>Blue painting. Other colours and printed logos available at special orders.</li> </ul>
<b>Warranty</b>	<ul style="list-style-type: none"> <li>1 year standard. See applicable limited warranty terms and conditions.</li> <li>Extended warranty available at cost</li> </ul>
<b>Physical Characteristics</b>	<ul style="list-style-type: none"> <li>Dimensions: 40(W)x40(H)x60(D)mm / 1.6(W)x1.6(H)x2.4(D) inch</li> <li>Product weight: 200 gr (7 oz)</li> <li>Packaged product weight: 0.3 kg (0.7 lbs)</li> </ul>
<b>Environmental</b>	<ul style="list-style-type: none"> <li>Temperature range: Operating 0°C to 40°C (32°F to 104°F); Storage - -25°C to 70°C (-13°F to 158°F)</li> <li>Humidity: 5% to 95% non condensing</li> </ul>

<b>Power Supply</b>	<ul style="list-style-type: none"><li>▪ Integrated with high efficiency power supply</li><li>▪ Power input: 90-240VAC, 50-60 Hz</li><li>▪ Automatic resettable fuse short circuit protected</li><li>▪ Average power consumption 3W, Maximum 5W.</li></ul>
<b>Accessories</b>	<ul style="list-style-type: none"><li>▪ CAT 6 1.8 m LAN Cable included</li></ul>

- Specifications are subjected to change without prior notice



Sheeva Plug internal design

For more information about Plug Computing see: <http://www.plugcomputer.org/>